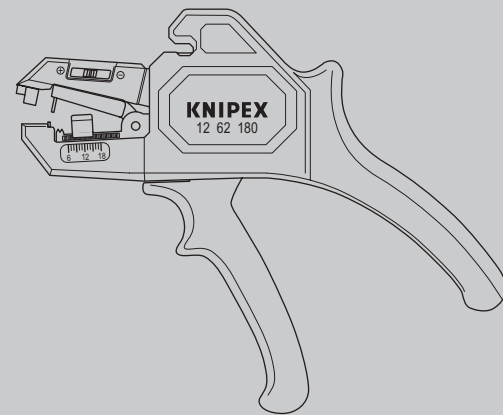


Operating instructions

12 62 180

EN **Automatic Insulation Stripper**
for stripping single, multiple and fine stranded
conductors



CONTENTS

1	General	3
1.1	Notes on operating instructions	3
1.2	Symbols	3
1.3	Copyright	3
1.4	Guarantee and warranty	4
2	Safety	4
2.1	Intended use	4
3	Design and function	5
3.1	Design	5
3.2	Function	5
4	Operation	6
4.1	Cutting cables to length	6
4.2	Stripping cables (with solid, stranded and fine-stranded conductors)	7
5	Maintenance	8
5.1	Changing the length stop	8
5.2	Replacing of the blades	8
6	Technical data	11
7	Disposal	11

1 General

1.1 Notes on operating instructions

These operating instructions are designed to enable you to use your tool safely and efficiently.

The tool may only be used if it is in technically perfect condition.

As a consequence of technical developments, the illustrations and descriptions contained in these operating instructions may differ slightly from the tool actually delivered.

We do not accept any liability for damage caused by failure to observe these operating instructions.

1.2 Symbols

All safety instructions in these operating instructions are indicated by corresponding symbols. The signal words at the beginning of each safety instruction express the extent of the hazard.



Danger!

Level 1 risk source

This combination of symbol and signal word indicates an imminently hazardous situation that will result in death or serious injury if not avoided.



Warning!

Level 2 risk source

This combination of symbol and signal word indicates a possibly hazardous situation that may result in death or serious injury if not avoided.



Caution!

Level 3 risk source

This combination of symbol and signal word stands for important information that will assist in preventing damage to property or the environment.

1.3 Copyright

These operating instructions and all documentation supplied with this tool are protected by copyright and remain the property of KNIPEX. The reprinting of these instructions, even in extract form, is only permitted with the written consent of C. Gustav Putsch KG.

1.4 Guarantee and warranty

The manufacturer grants a statutory warranty in accordance with the current sales and delivery conditions. No further warranties or assurances are granted.

Within the warranty period, the warranty covers the rectification of all defects that can be traced back to material faults or manufacturing errors.

Wearing parts are excluded from the warranty.

The repair or replacement of a tool shall not result in an extension of the warranty period. Tools shall only be repaired or replaced with "as new" parts, whose function corresponds to that of the old parts. All defective and hence replaced parts are the property of the manufacturer.

Warranty claims shall expire in particular if:

- Damage is caused through improper operation, use for purposes other than those specified by the manufacturer, or poor maintenance.
- Repairs or conversions are carried out by unauthorized persons.
- No original accessories or spare parts from KNIPEX are used.
- Defective components are not repaired immediately to minimise the extent of the damage and so as not to impair the safety of the tool (obligation to repair). For the rest, reference is made to the liability and warranty regulations of the current sales and delivery conditions.

2 Safety

2.1 Intended use

The tool is intended for the following uses:

- Stripping solid, stranded and fine-stranded conductors from 0.2 to 6 mm² / AWG 24 - 10
- Cutting copper and aluminium conductors up to a maximum of 2.5 mm²

The tool must not be used for the following applications:

- Cutting steel

Any use beyond the intended purpose or any unauthorized modification shall be considered improper. The operator shall be liable for damages resulting from improper use.

Intended use also includes adhering to these operating instructions. They must be read in full before use.



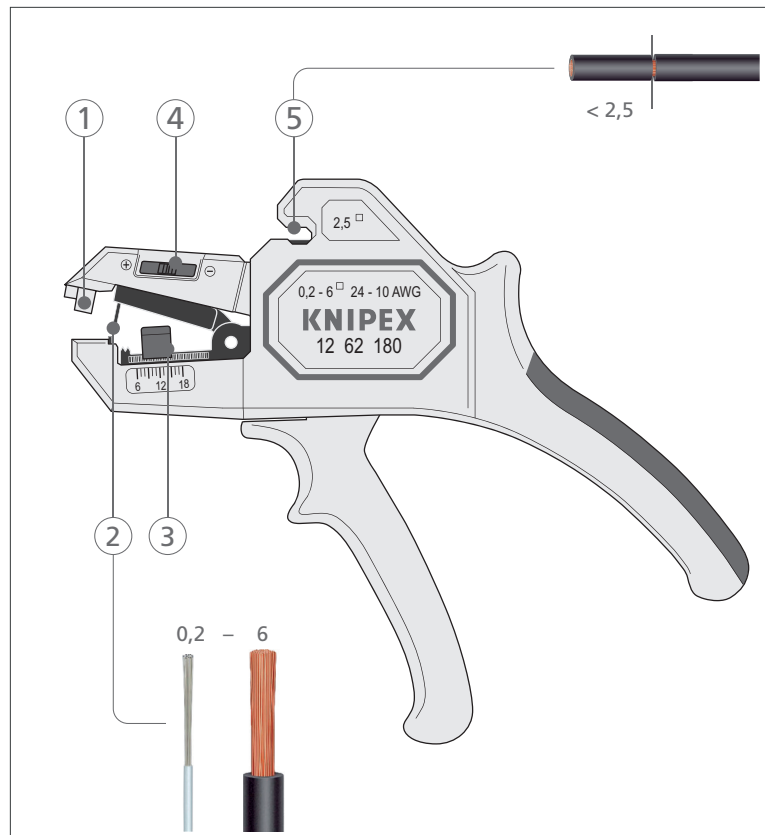
Warning!

Danger from sharp blades!

Handling sharp blades is dangerous. For this reason, make sure to handle your tools with care when working.

3 Design and function

3.1 Design



Design of the stripping tool

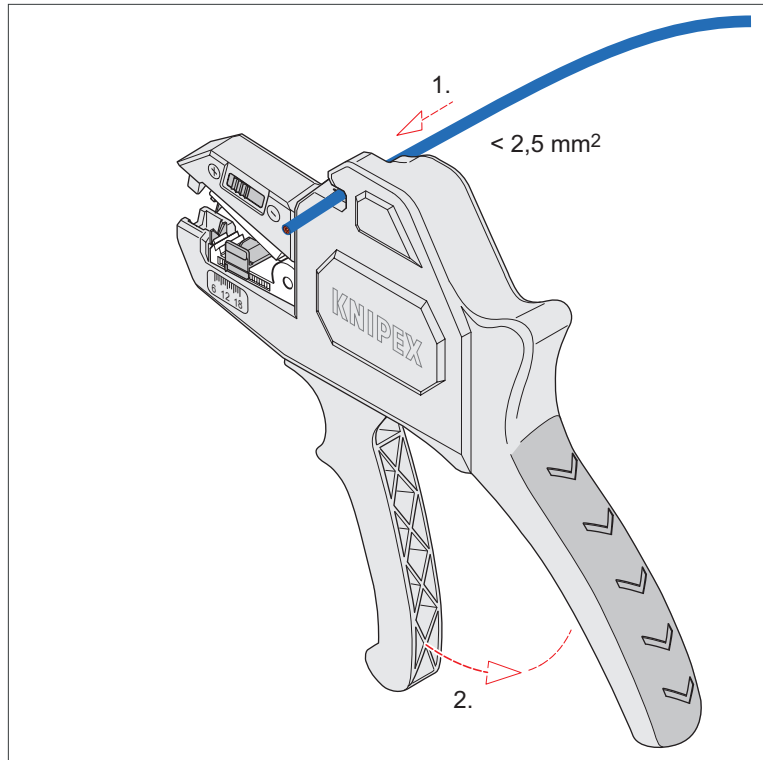
- 1 Holder for cables / conductors
- 2 Cutter for stripping
- 3 Adjustable length stop (6.0 - 18.0 mm)
- 4 Fine adjustment of the cutting edge depth for special materials or temperature requirements
- 5 Wire cutter for copper and aluminium wires (max. 2.5 mm²)

3.2 Function

The automatic insulation stripper cuts and strips solid, stranded and fine-stranded conductors.

4 Operation

4.1 Cutting cables to length

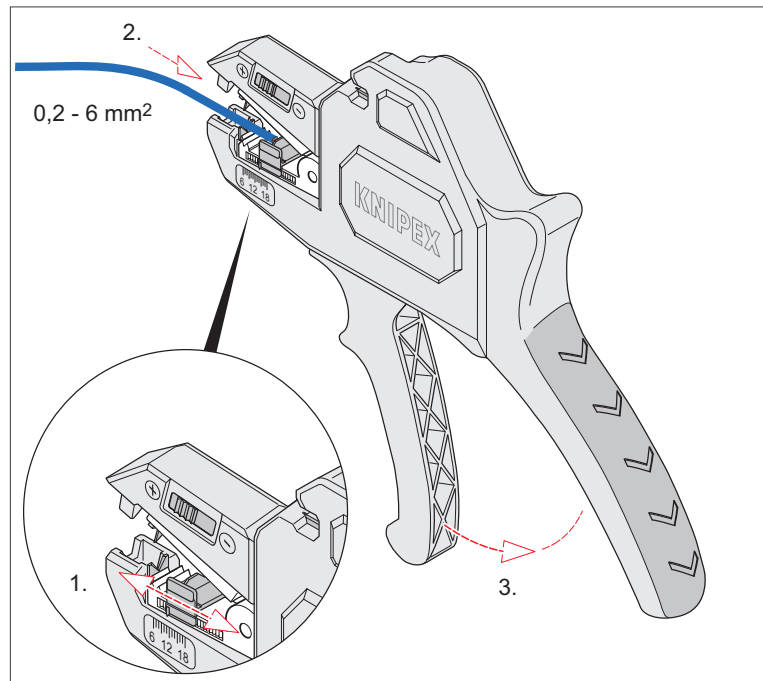


Cutting cables

1. Insert the end of the cable to be shortened between the two blades of the wire cutter.
2. Firmly press the two handles together.

4.2 Stripping cables (with solid, stranded and fine-stranded conductors)

- » Set the length stop to the required size (6 to 18 mm).
- » Insert the end of the cable into the holder.
- » Firmly press the two handles together.

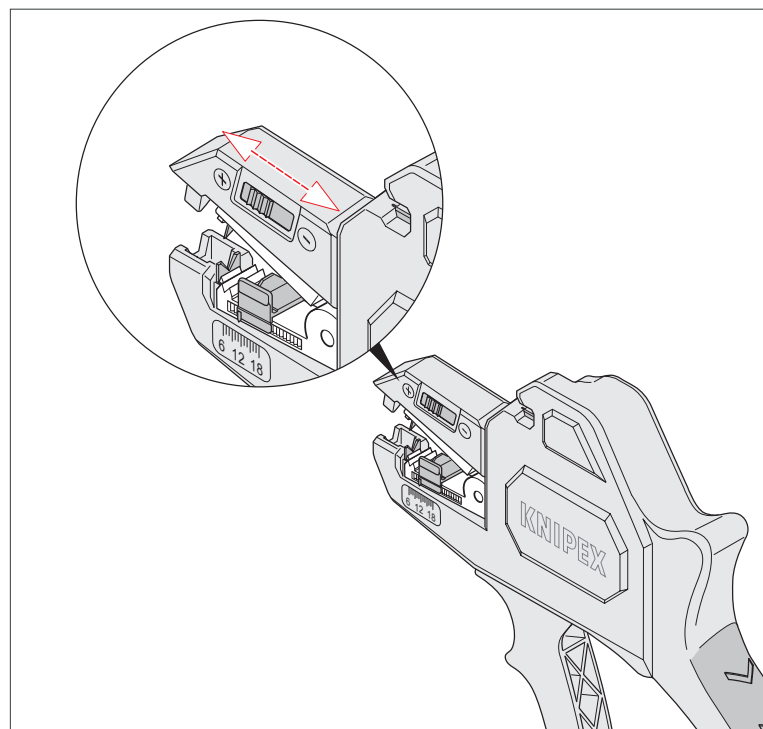


Stripping the individual conductors

- » Pull the stripped cable out of the holder.

With special materials or temperature conditions, it may be necessary to readjust the cutting depth.

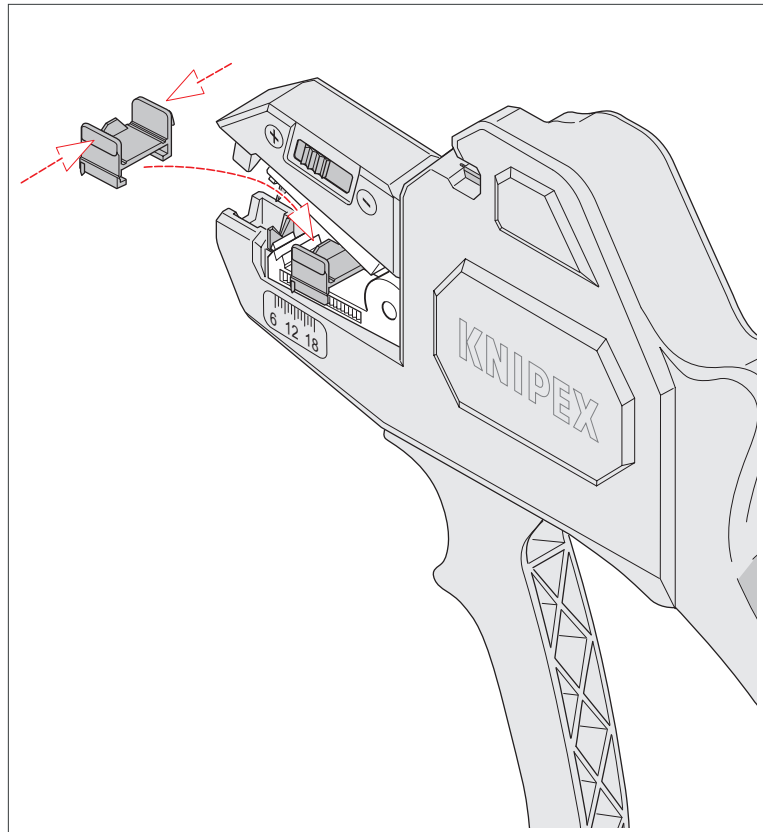
- » To do this, slide the fine adjustment slider to the left ("+" direction)



Readjusting the cutting depth

5 Maintenance

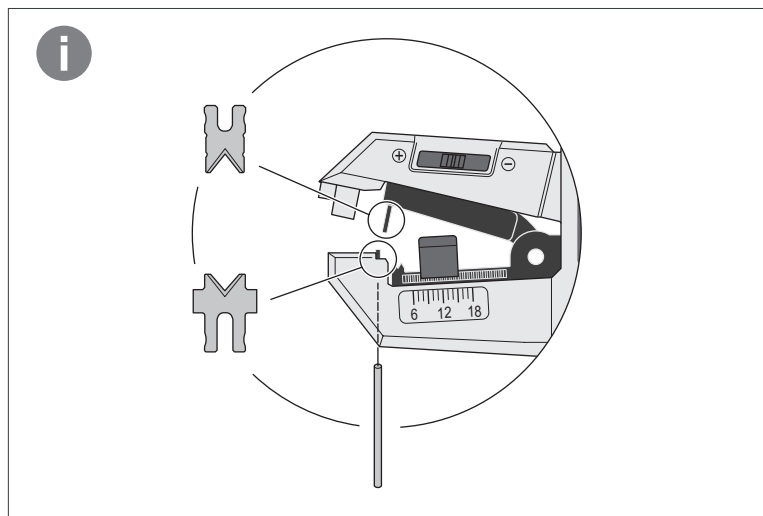
5.1 Changing the length stop



Replacing the length stop

1. Squeeze the length stop slightly and pull it off the guide.
2. Place the new length stop onto the guide and gently press it together until it clicks into place.
3. Check whether the length stop can be moved.

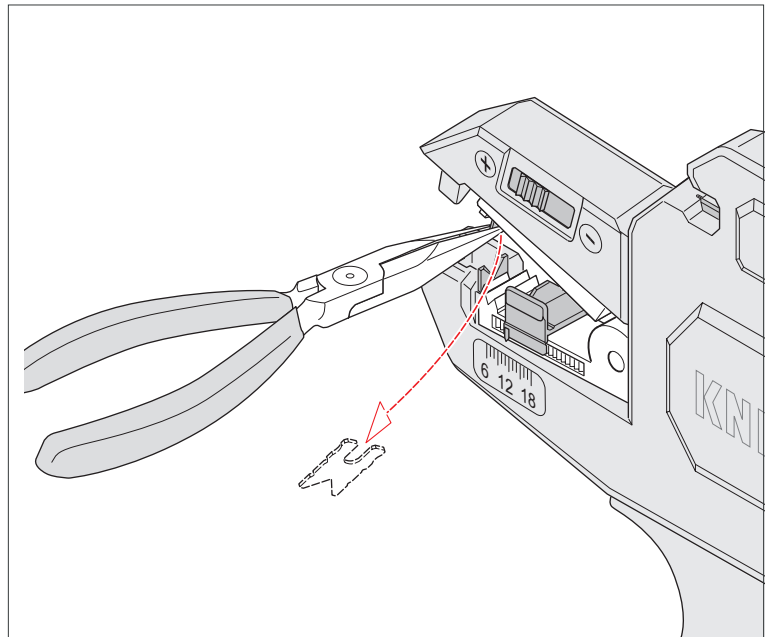
Replacing of the blades



Installation info

5.1.1 Replacing the top blade

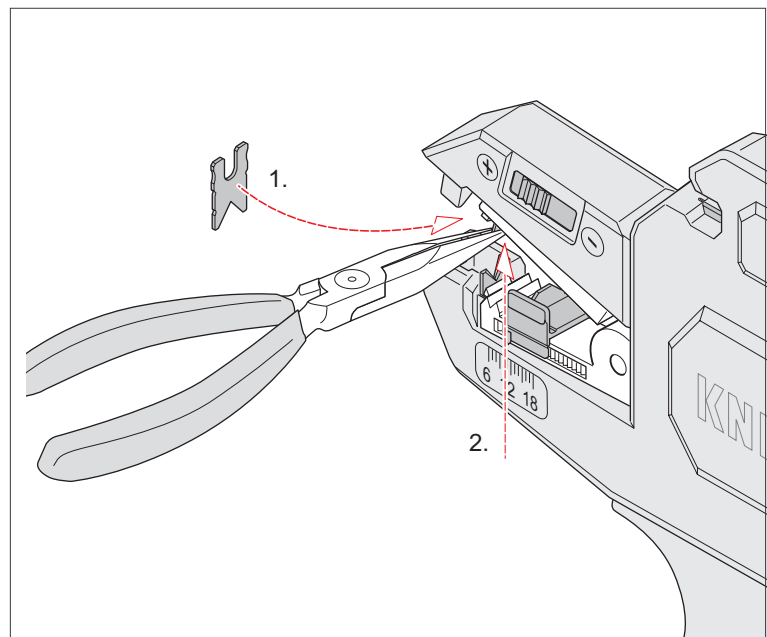
1. Use small flat nose pliers to pull out the top blade.



Removing the top blade

2. Use the flat nose pliers to push the new blade in at the same position. If necessary, press it down a little with the pliers.

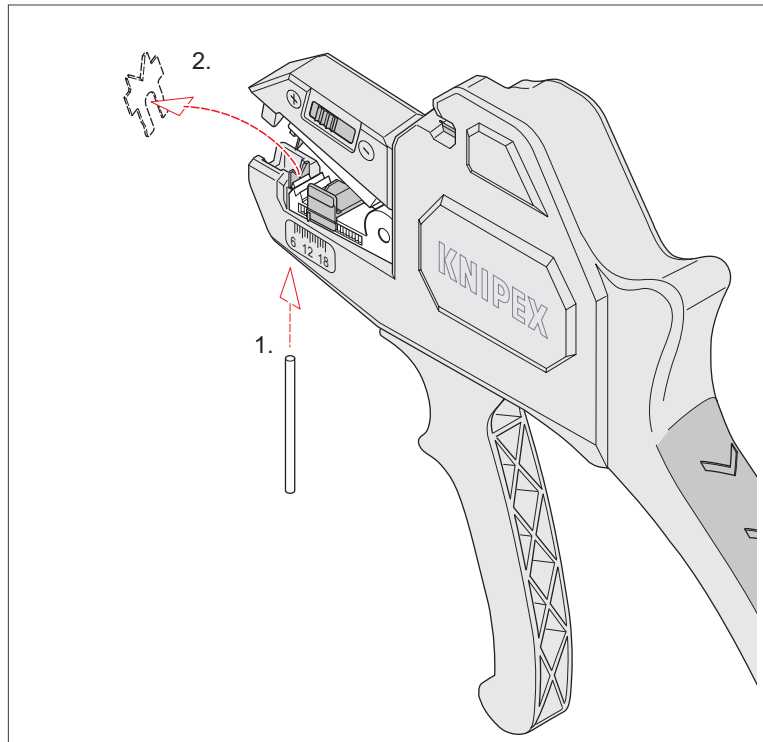
Note: Pay attention to the correct position. The cutting edges of the blade must point inwards (into the tool).



Installing the top blade

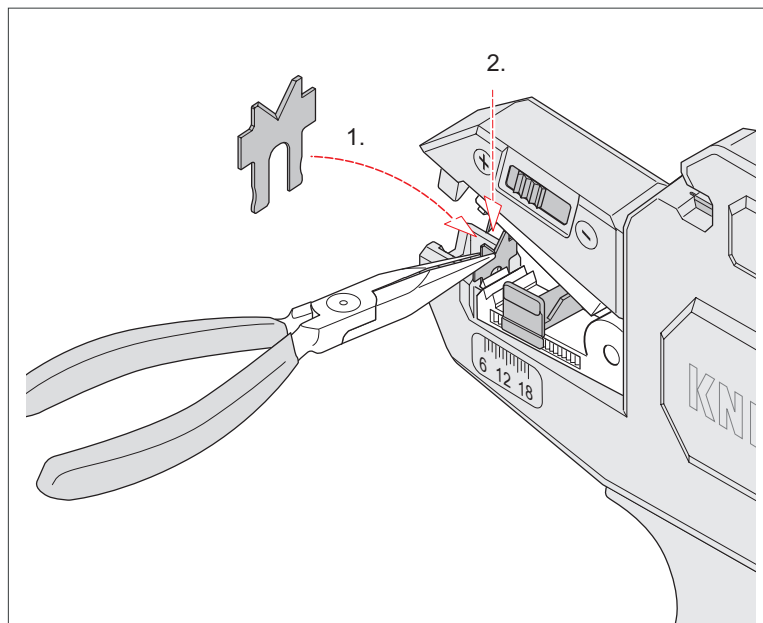
5.1.2 Replacing the bottom blade

1. Use the metal pin provided to slide the bottom blade out from below.



Remove the bottom blade

2. Use the flat nose pliers to push the new blade in at the same position from above. If necessary, press it down a little with the pliers.
Note: Pay attention to the correct position. The cutting edges of the blade must point outwards (away from the tool).



Installing the bottom blade

3. Dispose of the used blades properly.
4. Check that the insulation stripper is working correctly by stripping a cable.

6 Technical data

Technical data	Unit	
Article number pliers	–	12 62 180
Article number spare blades	–	12 69 21
Article number spare length stop	–	12 69 23
Length	mm	180
Weight	g	151
Material housing	–	Plastic, glassfibre-reinforced
Material blade	–	Special tool steel, oil-hardened
Capacity	mm ²	0,2 ... 6,0
AWG	-	24 - 10

7 Disposal

The tool can be disposed of as household waste.



KNIPEX-Werk
C. Gustav Putsch KG

42337 Wuppertal

Tel.: +49 202 – 47 94-0
Fax: +49 202 – 47 74 94

info@knipex.com
www.knipex.com