

# Pliers Wrench XL

Pliers and a wrench in a single tool  
DIN ISO 5743

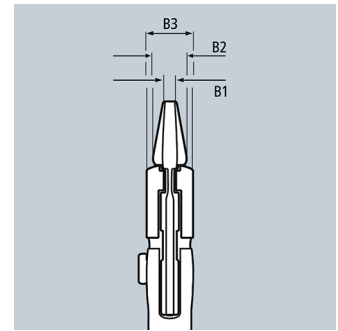
86  
03

The unique installation tool now in 16" (400 mm) length  
For opening widths up to 3 3/8" (85 mm)



- > excellent for gripping, holding, pressing and bending applications
- > optimized adjustment to the workpiece with hand-friendly position of grips
- > reliable catching of the hinge bolt: no unintentional shifting
- > lever transmission greater than 10 – 1 for strong gripping power
- > adjustable tightening tool
- > replaces diverse, expensive, large open end wrenches up to 3 3/8"
- > parallel jaws allow infinitely variable gripping of all widths to the specified maximum size
- > smooth jaws, for gentle installation of quality union joints made from brass, red brass or stainless steel
- > zero backlash jaw surface pressure prevents damage to edges of sensitive components
- > the action of the jaws allows bolted connections to be tightened and released quickly using the ratchet principle
- > adjustment at the touch of a button directly on the workpiece
- > chrome vanadium electric steel; forged, oil-hardened



86 03 400 US



Open end wrenches with fixed opening widths are expensive, especially when used for large union joints. The KNIPEX Pliers Wrench XL, with its adjustable jaw opening up to AF 3 3/8" (85 mm), offers enormous savings potential.

Product Number	Packaging	↔ Inch mm	Pliers	Handles	 Inch mm	Adjustment positions	Dimensions			 lbs
							B1 Inch mm	B2 Inch mm	B3 Inch mm	
86 03 400 US		16 400	chrome plated	plastic coated	3 3/8 85	25	31/64 12.5	5/8 16	25/32 20	3.22

adjustable tightening tool – replaces diverse, expensive, large open end wrenches

parallel jaws give a more solid grip; its design allows flexible adjustment up to a maximum size of 3 3/8"

smooth jaws, for damage free installation of quality union joints made from brass, red brass, stainless steel or chrome plated material

zero backlash jaw pressure prevents damage to edges of sensitive components

the ratchet type principle allows quick and easy tightening and release of bolted connections

push-button for adjustment on the workpiece

